

COYOTE

Outdoor Living

CSL42

42" S-SERIES GRILL

Model: CSL42 LP/NG

DESIGNED TO ENDURE.
Entertain In Style.

FEATURES

Premium stainless steel frame, firebox, hood and burners.

Four high performance Coyote iBurners™, plus one infrared rear burner, plus one Coyote RapidSear™ burner

1275 sq. in. cooking area

Interior hood lights

Double walled stainless steel hood

Includes premium stainless steel grates, warming rack and performance enhancing Heat Control Grids™

Continuous weld on grill box with seamless, polished edging

Rotisserie kit and smoker box included

Integrated wind guard

Up to 115,000 BTU



OPTIONS

- Grill conversion kit available
- Stainless steel grill cart available
- Custom, weather resistant cover available
- Insulated jacket available
- Standard LED back lit knobs
- 14" Drop in griddle (CGRDL) available



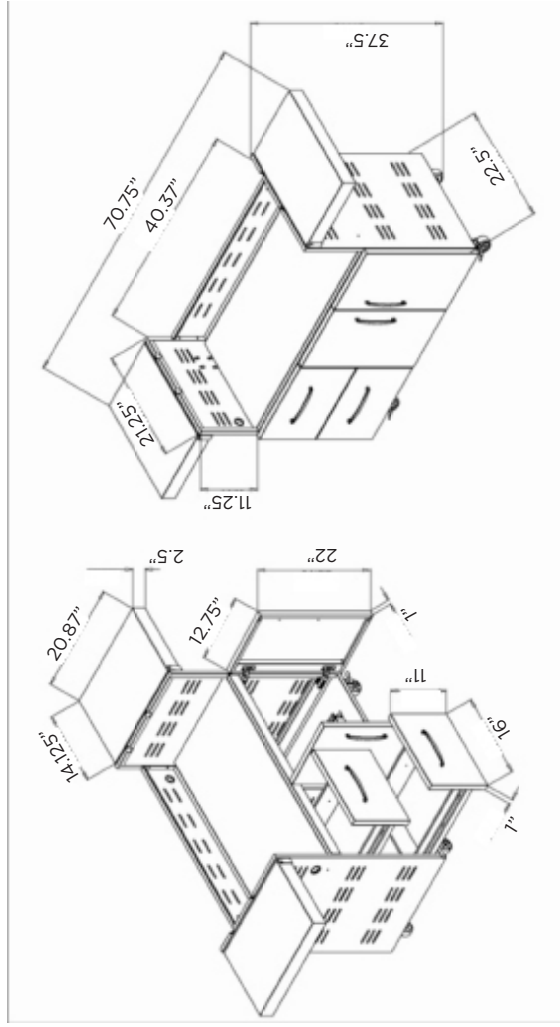
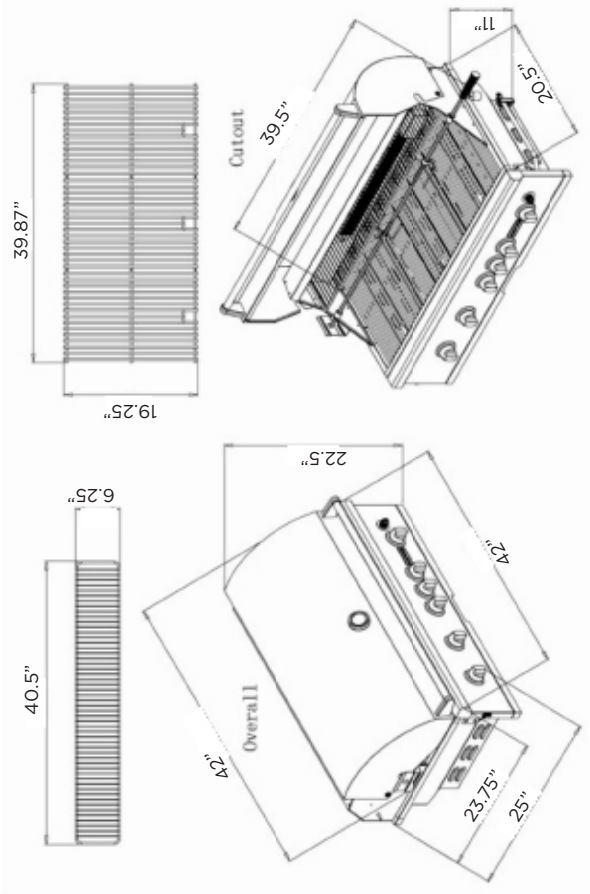
COYOTE

Outdoor Living

CSL42

Overall Dimensions:
22.5"(H) X 42"(W) X 23.75"(D)

Cutout Dimensions:
11"(H) X 39.5"(W) X 20.5"(D)



www.coyoteoutdoor.com

